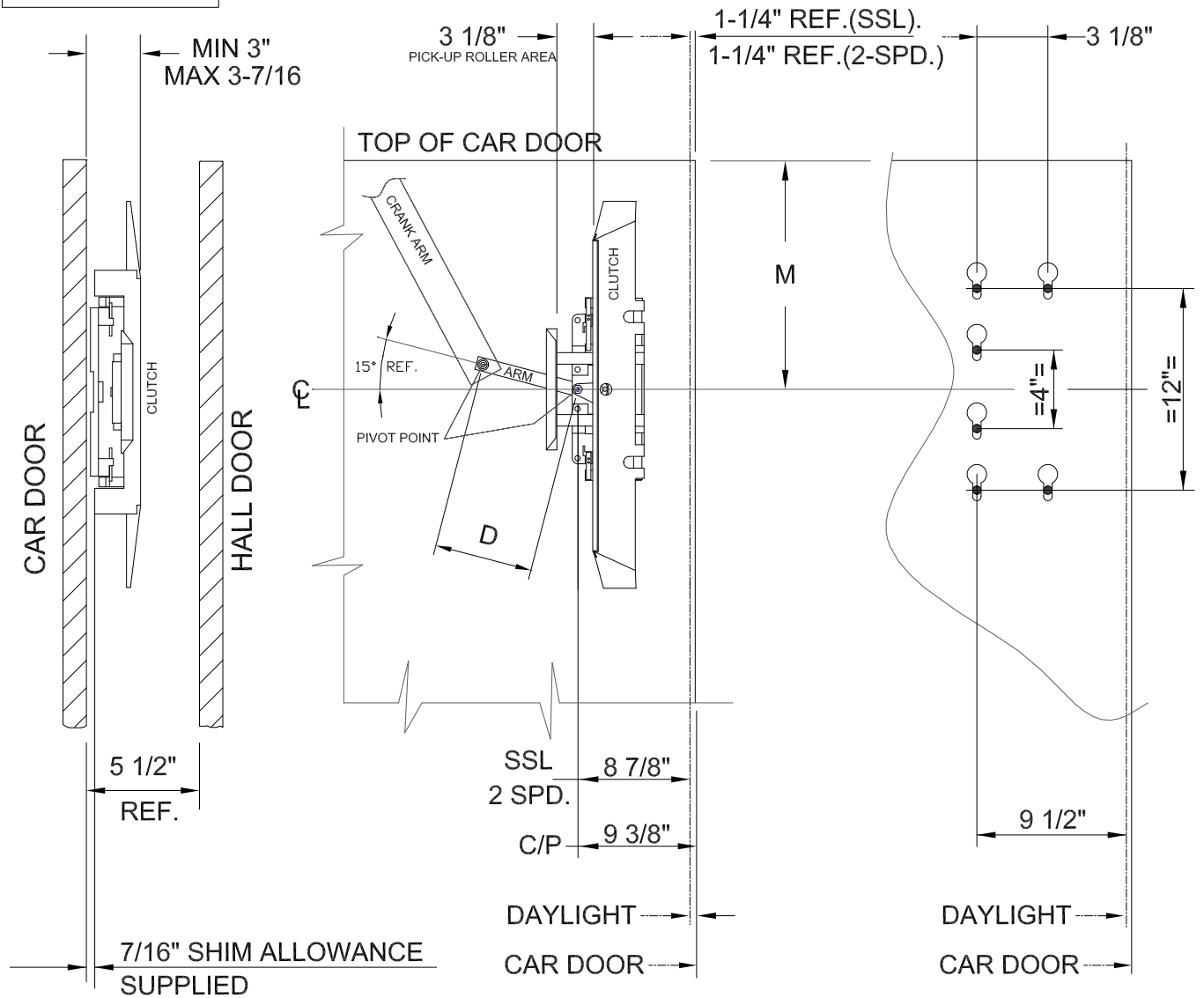


ECI-892 RETRACTABLE CLUTCH

ELEVATOR COMPONENTS INDUSTRIES INC.
 1237 KAMATO RD. MISSISSAUGA, ONTARIO, CANADA
 L4W 2M2
 PHONE: 905.624.6565.....FAX: 905.624.4262
 WEB: WWW.ECICANADA.COM



CLUTCH - INSTALLATION

CENTER LINE OF CLUTCH MUST ALWAYS BE LOCATED FROM TOP OF CAR DOOR REFER TO DATA SHEETS (FOR ECI-LINEAR OPERATOR 'M' DIM. ALWAYS = 15") UNLESS OTHERWISE SPECIFIED, & 'D' DIM. ALWAYS = 8"

SINGLE SLIDE & 2 SPEED
 CLUTCH MUST BE LOCATED FROM DAYLIGHT REGARDLESS OF DOOR OVERLAP

CENTER OPENING
 CLUTCH MUST BE LOCATED FROM CAR DOOR LEADING EDGE

